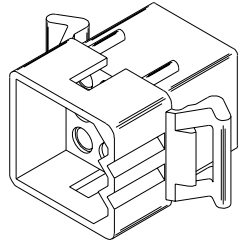
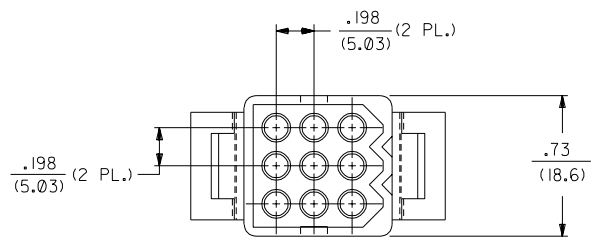
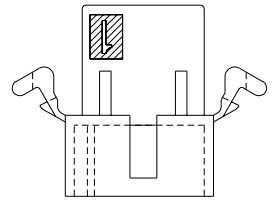
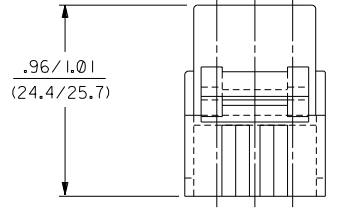
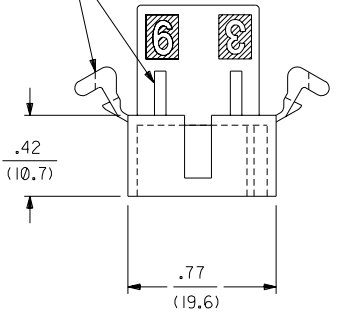


MOUNTING EAR AND RIB OPTION
SEE DETAIL 4 AND NOTE 3



STANDARD PLUG
(SHOWN WITH PREBENT MOUNTING EARS)

| | | | |
|---|---|---------------|---|
| 4 | T | RI | REVISED ECN LIT 1268 WANG 97-4-22 |
| 3 | S | | |
| 2 | S | R | REV. & REDRAWN, ECR 119 0043 GEP 2-18-89 RW |
| 1 | T | | |
| | | MFG, SH, REV. | LTR. REVISIONS |

| | |
|---|-----------------------|
| DIMENSIONS SHOWN (METRIC) INCH | |
| UNLESS OTHERWISE SPECIFIED TOLERANCES: ANGULAR $\pm .020$ | |
| 3 PLACE | $\pm .010$ |
| 2 PLACE | $\pm .014$ ± 0.25 |
| 1 PLACE | ± 0.35 |
| DRAFT WHERE APPLICABLE MUST REMAIN WITHIN DIMENSIONS | |
| DRWG. BY: GEP | CHK'D. BY: RW |
| APP'D. BY: RAS | SCALE: 2:1 |

| | | |
|---|---|------------------|
| TITLE | .093/(2.36) HOUSING, PLUG AND RECEPTACLE, 9 CKT., .198/(5.03) CTRS. | |
| PART NO. | MOLEX INCORPORATED | SHEET NO. 1 OF 4 |
| DATE | U.S.A. | DATE 2/18/89 |
| SEE CHART | SD-1292-* | |
| FILE NAME | S:\252X1 DGN | |
| THIS DRAWING CONTAINS INFORMATION THAT IS PROPRIETARY TO MOLEX INC. AND SHOULD NOT BE USED WITHOUT WRITTEN PERMISSION | | |

1292

CP C

| PLUG | |
|------------|-----------|
| PART NO. | ENG. NO. |
| 03-09-2091 | I292-P |
| 03-09-2092 | I292-PI |
| 03-09-7091 | I292-PBK |
| 03-09-7092 | I292-PIBK |
| NOT TOOLED | I292-P2 |
| 27-09-2092 | I292-PI-A |

| RECEPTACLE | |
|------------|-----------|
| PART NO. | ENG. NO. |
| 03-09-1091 | I292-R |
| 03-09-1092 | I292-R1 |
| 03-09-6091 | I292-RBK |
| 03-09-6092 | I292-RIBK |
| 03-09-1093 | I292-R2 |
| 03-09-6093 | I292-R2BK |
| 03-09-1094 | I292-R3 |
| 03-09-6094 | I292-R3BK |
| 27-09-1093 | I292-R2-A |

LEGEND: PLUG

I292-P***-*

P = PLUG

BLANK = OPT. PLUG WITH PREBENT EARS

1 = STD. PLUG WITHOUT PREBENT EARS

2 = STD. PLUG WITH PREBENT EARS & RIBS

COLOR: BLANK=NATURAL COLOR

AM=AMBER BK=BLACK BU=BLUE

BN=BROWN GY=GRAY GN=GREEN

OR=ORANGE RD=RED YW=YELLOW

MATERIAL: BLANK = NYLON 6/6, U.L. 94V-2

A = NYLON 6/6, U.L. 94V-0

LEGEND: RECEPTACLE

I292-R***-*

R = RECEPTACLE

BLANK = WITH PREBENT EARS, WITH LOCK RAMP

1 = WITH PREBENT EARS, WITHOUT LOCK RAMP

2 = WITHOUT EARS, WITHOUT LOCK RAMP

3 = WITHOUT EARS, WITH LOCK RAMP

COLOR: BLANK=NATURAL COLOR

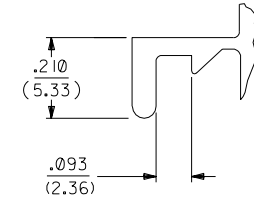
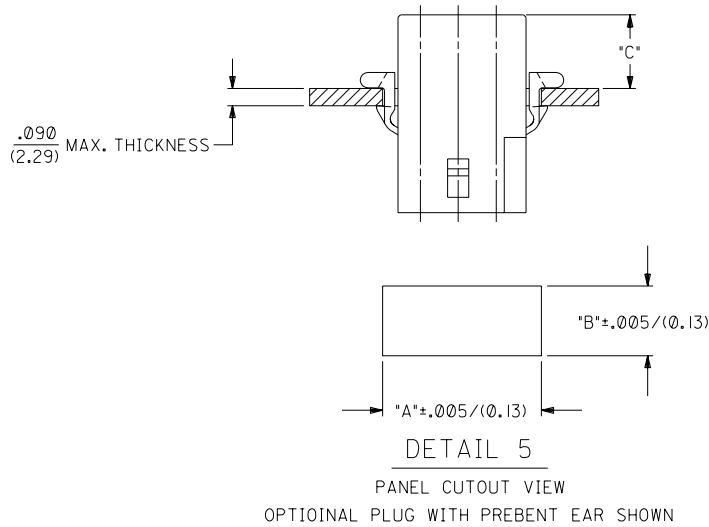
AM=AMBER BK=BLACK BU=BLUE

BN=BROWN GY=GRAY GN=GREEN

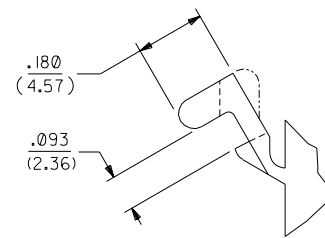
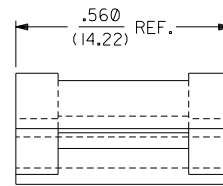
OR=ORANGE RD=RED YW=YELLOW

MATERIAL: BLANK = NYLON 6/6, U.L. 94V-2

A = NYLON 6/6, U.L. 94V-0



DETAIL 3
.093/(2.36) STANDARD MOUNTING EAR
(SCALE 4:1)



DETAIL 4
.093/(2.36) PREBENT MOUNTING EAR
(SCALE 4:1)

| HOUSING | DIM. "A" | DIM. "B" | DIM. "C" (STD. EAR) | DIM. "C" (PREBENT) |
|------------|--------------|--------------|---------------------|--------------------|
| STD. PLUG | .930/(23.62) | .760/(19.30) | N/A | .39/(9.9) |
| OPT. PLUG | .937/(23.80) | .660/(16.76) | .13/(3.3) | N/A |
| RECEPTACLE | .828/(21.03) | .725/(18.42) | .37/(9.4) | .41/(10.4) |

NOTES:

- 1 THESE PARTS COMPLY WITH MOLEX PRODUCT SPEC. 02-09.
- 2 HOUSINGS FOR USE WITH MOLEX .093/(2.36) PIN AND SOCKET TERMINALS.
- 3 RIBS ARE PRESENT ONLY ON STANDARD PLUG WITH PREBENT MOUNTING EARS. FOR PLUG HOUSINGS REQUIRING MOUNTING EARS, ONLY PREBENT STYLE IS AVAILABLE.

| | | | |
|--|-----------|---|-----------|
| DIMENSIONS SHOWN (METRIC) INCH UNLESS OTHERWISE SPECIFIED TOLERANCES: ANGULAR $\pm .002$ | | REVISE ONLY ON CAD SYSTEM | |
| T SEE SHT. I | | TITLE .093/(2.36) HOUSING, PLUG AND RECEPTACLE, 9 CKT. $\pm .198/(5.03)$ CTRS. | |
| S2 SEE SHT. I | | MOLEX INCORPORATED SHEET NO. DATE U.S.A. 4 2/18/89 | |
| S1 SEE SHT. I | | PART NO. DRWG. NO. SD-1292-* | |
| S SEE SHT. I | | SEE CHART | |
| R SEE SHT. I | | FILE NAME DIV. SIZE 51292X4 068 CP C | |
| LTR. | REVISIONS | LTR. | REVISIONS |
| DRWG. BY: GEP | | CHK'D. BY: RW | |
| APP'D. BY: RAS | | SCALE: 2:1 | |